

World Dairy Expo



Display Rules and Regulations

Supplement to Commercial Exhibitor Manual

(Revised December 2017)

This is a guide for use by all World Dairy Expo exhibitors. Written exceptions may be granted by World Dairy Expo on a one-year, case-by-case basis. Please call or email with questions or send a sketch of your booth for review by September 1.

These guidelines have been adapted by the World Dairy Expo Commercial Exhibitor Committee from the International Association of Exhibitions and Events (IAEE) Guidelines for Display Rules and Regulations. The IAEE guide is generally accepted as the official rule book for trade show displays around the world.

World Dairy Expo
3310 Latham Drive, Madison, WI 53713
Phone: 608-224-6455, Fax: 608-224-0300
Website: www.worlddairyexpo.com

INDEX

General Booth Rules	2
Standard Booth Guidelines	3
Corner Booth Guidelines	3
Perimeter Wall Booth Guidelines	3
Peninsula Booth Guidelines	4
Island Booth Guidelines	4
Non-Profit Table Top Guidelines	4
Outdoor Trade Mall Booth Guidelines	4
Hanging Signs & Graphics	5
Towers & Trusses	5
Demonstrations	6
Multi-Story Booths.....	6
Other Important Considerations	6-7

Note: All measurements are English

English/Metric

1 ft. = .3 m

1 in. = 2.54 cm

Metric/English

1 m = 3.28 ft.

1 cm = .39 in.

World Dairy Expo

Crystal Ripp, Trade Show Manager, cripp@wdexpo.com

3310 Latham Drive, Madison, WI 53713

Ph: 608-224-6455, F: 608-224-0300

www.worlddairyexpo.com

Show Location: Alliant Energy Center

1919 Alliant Energy Center Way, Madison, WI 53713

General Booth Rules

Aisle Use

Aisles are to remain completely free of flooring, obstructions and not put to commercial use in any way by any exhibitor. No activity can be conducted outside of contracted exhibit space, including handouts, solicitations, presentations, surveys or mascots. Exhibitors may not conduct any kind of activity that leads to congestion of aisle traffic.

Audio-Video/Music/Loud Demonstrations

World Dairy Expo management reserves the right to limit or restrict sounds from any source that interfere with activities in neighboring exhibits. In general, a neighbor should not be able to hear your sounds from their booth. All TVs, videos and demonstrations are subject to Expo's three-foot set-back rule.

Balloons

Helium, non-latex balloons may be used as booth decorations if securely fastened, but balloon distribution is prohibited.

Fans/Misters

Indoor fan demonstrations require approval and are subject to regulation. Misting fans are not allowed to operate indoors. Outdoor exhibits using misting fans must take care to ensure that neighboring exhibits remain dry.

Food/Beverages

All food and beverage samples or giveaways must be approved by Expo and Centerplate, the AEC's Official Caterer. No food may be sold on the grounds without being listed specifically in the exhibitor contract. Alcohol may not be sold from booths. Alcohol may not be distributed from booths during trade show hours. Booths with open access after-hours may distribute alcohol at hospitality events with prior written approval by September 1. Any exhibitor distributing food (sales, samples or giveaways) must comply with all Dane County Public Health regulations and may require licensing.

Press Conferences/Media Events

Exhibitor press conferences and media events may not be held within booth space in any exhibit space or public area anywhere on the grounds. Meeting rooms and hospitality tents on the grounds are available to rent for such events.

Signage

All signs must be professional in nature; handwritten signs are not permitted. See page 5 for hanging sign rules.

Line of Sight

All exhibitors are entitled to a reasonable line of sight which varies by booth size and location. Generally, nothing indoors should be over four feet (4') tall in the three feet (3') closest to the aisle. Please see the descriptions in this manual for your booth type.

Staffing

Booths must be staffed during all show hours, 9 a.m. to 5 p.m. Tuesday through Friday, and 9 a.m. to 4 p.m. Saturday (except International Lounge and Non-Profit Table Top (tt) displays). This is strictly enforced. Booths left unattended for long periods of time will be considered abandoned and removed at the exhibitor's expense.

Stickers/Adhesive Materials

Use and distribution of adhesive materials of any type are strictly prohibited by the facility. This includes, but is not limited to, stickers, glue, tape, staples, carpet tape or spray glue. Do not use or distribute them in any way at the show. Because of the costs involved in removing stickers from the floors, walls, etc., any company found to be distributing stickers will: (A) be fined \$1,000 for each sticker that needs to be removed from a facility surface and (B) will lose booth priority for the following year. Please be sure that all staff working the show are aware of this policy.

Banner Stands/Roll-Up Banners

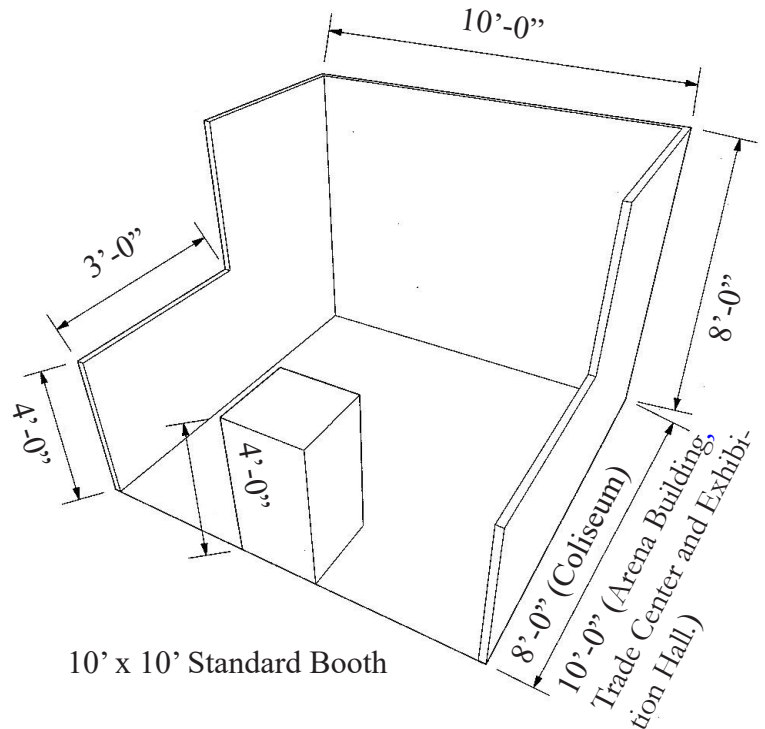
Banner stands and roll-up banners are subject to the same height and line-of-sight requirements as all other booth elements. A 6' banner stand cannot be placed on top of a 3' tall table if your height limit is 8'. Banner stands are also subject to the 3' rule and may not be placed in the three feet closest to any aisle.

Standard Booth

Standard Booths have only one side exposed to an aisle and are generally arranged in a series along a straight line. They are also called “linear” or “in-line” booths.

Dimensions

Most Standard Booths at World Dairy Expo are 10' x 10' in the Arena, Trade Center and Exhibition Hall. Most Coliseum booths are 10' wide by 8' deep. There are a few exceptions to this rule, and such exceptions would be specified on the booth contract. Due to the circular nature of the Coliseum, all dimensions given are approximate. The maximum height limitation in all cases for Standard Booths is 8 feet.



Use of Space

Regardless of the number of Standard Booths utilized, (e.g. 10' x 20', 10' x 30', 10' x 40' etc.) display materials should be arranged in such a manner so as to not obstruct sight lines of neighboring exhibitors. The maximum height of eight feet (8') is allowed only in the rear of the booth space, with a four foot (4') height restriction imposed on all materials in the three feet closest to the aisle. Note: When three or more Standard Booths are used in combination as a single exhibit space, the four foot (4') height limitation is applied only to that portion of exhibit space which is within ten feet (10') of an adjoining booth.

Corner Booth

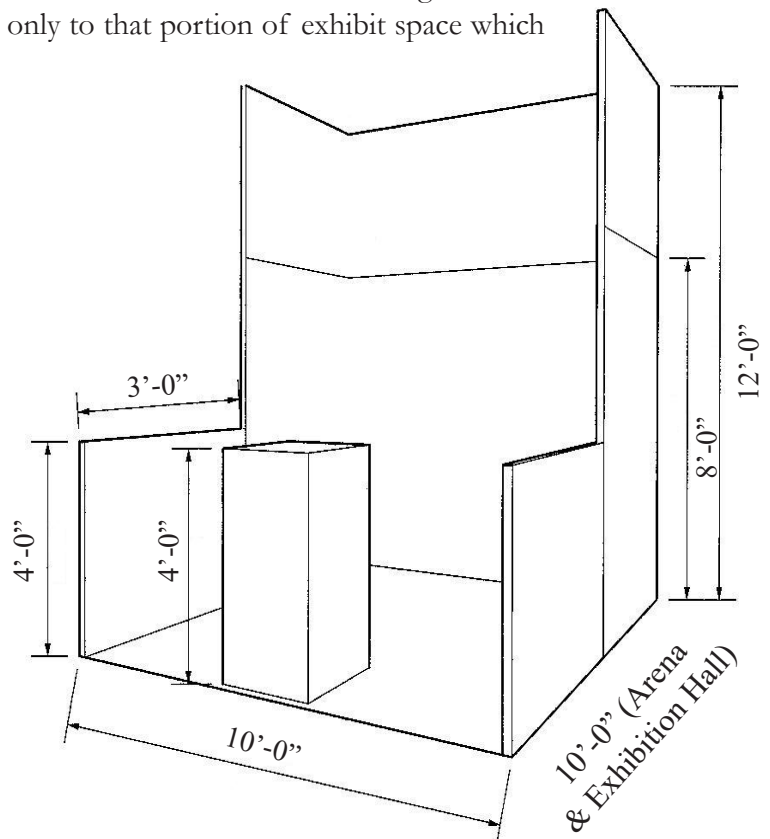
A Corner Booth is a Standard Booth exposed to aisles on two sides. All other guidelines for Standard Booths apply.

Perimeter Booth

A Perimeter Booth is a Standard Booth that backs up to a wall rather than to another exhibit. Perimeter Booths are those numbered 400-418, 500-518, 1101-1118, 4201-4219, 4301-4322, 4400-4432.

Dimensions and Use of Space

The same guidelines for Standard Booths apply to Perimeter Booths except that the typical maximum backwall height is twelve feet (12') in those areas.

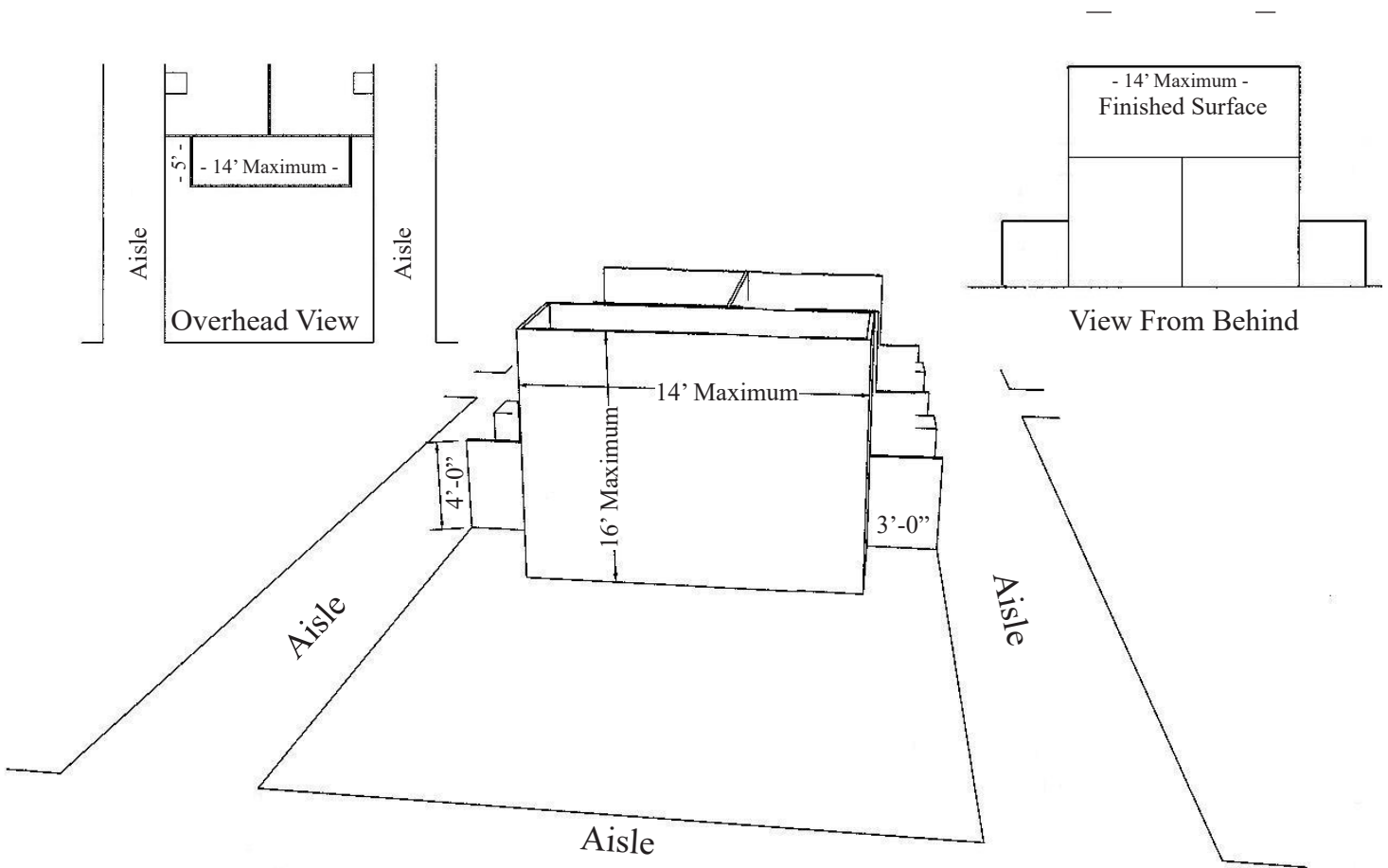


Peninsula Booth

Peninsula Booths are any configuration of four or more booths exposed to aisles on three sides.

Dimensions

Peninsula Booths at World Dairy Expo are 20' x 20' or larger. When a Peninsula Booth backs up to two Standard Booths, the backwall is restricted to four feet (4') high within the three feet (3') closest to each aisle, in the back five feet (5') of the booth permitting adequate line of sight for the adjoining booths. The rest of the backwall can be no higher than sixteen feet (16'). Any portion of the backwall that extends beyond the eight foot (8') curtain must be plainly finished with no exposed framing or structure.



Island Booth/Split Island Booth

An Island Booth is exposed to aisles on all four sides. A Split Island Booth is a Peninsula Booth which shares a common backwall with another Peninsula Booth. In both cases, the entire cubic content of the booth may be used up to sixteen feet (16'). However, hanging signs and extended height graphics (higher than 8') with company/brand identification that face an adjacent booth must be set back five feet (5') from that adjacent booth. Any portion of the backwall that extends beyond the eight foot (8') curtain must be plainly finished with no exposed framing or structure.

Non-Profit Table Top Display

Non-Profit Table Top displays are limited to a total size of 8' x 3' and are provided with a skirted 6' table. Display must be positioned against the wall.

Outdoor Trade Mall Booth

Outdoor Trade Mall booths are any booths not inside a building or under any type of cover. These booths have no height limits or product placement restrictions.

Hanging Signs and Extended Height Graphics

Whether suspended from above or supported from below, all booth elements must comply with all ordinary use-of-space requirements. The highest point of any sign in any booth should not exceed the maximum allowable height for that type of booth. Hanging Signs and Extended Height Graphics (higher than 8') with company/brand identification that face an adjacent booth must be set back five feet (5') from that adjacent booth for a Split Island booth.

Hanging Signs are an option only for exhibitors in the main hall of the Exhibition Hall with a 16' maximum height or a Perimeter Booth with at least 30' of width. Hanging Signs are not allowed in any area of the Coliseum, Arena Building or Trade Center. Companies wishing to hang anything from the ceiling above their booth must submit a "Hanging Sign Form" to the Expo office by September 1 for approval.

Towers and Trusses

A Tower is a freestanding exhibit component separate from the main exhibit fixture. The height restriction is the same as that which applies to the appropriate exhibit configuration being used. Towers in excess of eight feet (8') should have drawings available for inspection.

Towers are permitted to a maximum height and depth corresponding to the height and depth for their exhibit. For example, towers that are part of in-line booth exhibit will not exceed eight feet (8'). If placed within three feet (3') of booth closest to aisle, tower must be four feet (4') or less. This is waived if tower is at least five feet (5') from any adjacent booth. Other placement may be approved for larger booths.

Trusses are similar to Towers, but are treated slightly differently since they typically do not completely block sight lines. Variance may be granted on a case-by-case basis to place Trusses tight against an adjoining booth so long as signage or graphics do not interfere with line of sight requirements. Plans must be submitted and variance must be requested by September 1.

Demonstrations

As a matter of safety and courtesy to others, exhibitors should conduct sales presentations and product demonstrations in a manner which assures all exhibitor personnel and attendees are within the contracted exhibit space and not encroaching on the aisle or neighboring exhibits. It is the responsibility of each exhibitor to arrange displays, product presentation and demonstration area to ensure compliance.

Special caution should be taken when demonstrating machinery or equipment that has moving parts or any product that is potentially dangerous. Exhibitors should establish a minimum set-back of three feet (3') and/or install hazard barriers as necessary to prevent accidental injury to spectators. Demonstrations involving sound need to be limited in frequency and are at the discretion of show management. Generally, a neighbor across the aisle should not be able to hear your demonstration.

Multi-Story Exhibit

A Multi-Story Exhibit is a booth where the display fixtures exceed twelve feet (12'), including Double-Decker and Triple-Decker Booths. A Multi-Storied Exhibit requires prior approval by World Dairy Expo, the Alliant Energy Center, and all other relevant agencies because it is deemed to be a "structure" for building purposes. The city building department generally needs to issue a building permit based on an application and drawings prepared and submitted by a licensed architect or engineer. Exhibitors should obtain local building regulations early on to ensure that all time constraints are met. Expo staff can work with you to help expedite this process.

Other Important Considerations

Affiliated Company

Contracted Exhibitors are encouraged to welcome Affiliated Company representatives and promotional signage in their booth. It is the Contracted Exhibitor's responsibility to submit an Affiliated Company Application and fee for any Affiliated Company that will be participating in their booth. World Dairy Expo reserves the right to reject any application for any reason. In order to maximize exposure to attendees, this agreement will permit the Affiliated Company to solicit, sell, advertise and promote their company within the Contracted Exhibitor's booth space. Affiliated Companies will be included in the exhibitor list provided to all media sources, including the Official Program and the World Dairy Expo website, and they will also be able to obtain exhibitor name badges.

When the Contracted Exhibitor is a distributor or assigned representative of a product, that product and corresponding promotional materials may be a part of the booth without an Affiliated Company agreement on file. It is the responsibility of the Contracted Exhibitor to assure that all product categories are listed on their official World Dairy Expo Booth Contract. Proof of the distributor or representative agreement should be available upon request.

This program does not in any way alter the "No Subletting" restriction. All Contracted Exhibitors must be prepared to show proof of business relationship with affiliated company upon request. Applications are accepted until 8 a.m. the first day of the show, but must be received by July 1 to guarantee that the Affiliated Company is listed in the Official Program. Contracted Exhibitor retains responsibility for all activity inside the booth.

Arrival

Set-up hours are strict! Any exhibitor wishing to set up prior to the general set-up times must submit a request for written approval by Sept. 1. Exhibits must be in place and completely set up by 5 p.m. Monday. All booths are inspected Monday evening, and any unfilled spaces are resold. Set up early to avoid the rush.

Specific Move-In Times

Some exhibitors with large displays may be required to complete booth installation during fixed times. Any exhibitor impacted by fixed move-in times will be notified at least 30 days in advance of the show.

On-Site Registration

Registration packets need to be picked up at the show before 5 p.m. on Monday to receive your complimentary passes. No refunds are given. Please be sure all staff are aware of this policy. If you need your passes mailed prior to the show, contact the WDE office by September 1.

Tear Down

Absolutely no part of your exhibit (including supplies and materials) may be dismantled, packed or removed before **4 p.m. on Saturday**.

Product Pick-Up

If purchases are made and the item is to be picked up during the show, customers may carry their purchase from the booth or use a cart to get materials to their vehicle. If items are required to be picked up with a vehicle or trailer, pick up must be done outside of trade show hours, before 9 a.m. or after 5 p.m. and the exhibiting/selling company must notify WDE staff. If product samples that are part of a company's display are sold, they must be replaced by another product in order for the booth not to appear dismantled.

Promotional Material Distribution

No exhibitor (or non-exhibitor) may distribute and/or drop promotional materials for display purposes outside of their paid booth space. This includes aisles, bathrooms, parking lots, cattle housing, other trade show booths not contracted to the company/product/organization being promoted and all other common areas on show grounds. Please report any exhibitor (or non-exhibitor) soliciting outside of their booth to show management immediately.

Solicitation

Permission is never given to solicit attendees or exhibitors at Expo outside of paid booth space. Any attempt to solicit outside of paid exhibit space is a violation of county ordinance and will be prosecuted. This includes aisles, bathrooms, parking lots, cattle housing and all other common areas on show grounds. Please report any exhibitor (or non-exhibitor) soliciting outside of their booth to show management immediately.

Live Animals

Live animals are not allowed within any commercial exhibit area without written approval.

Aisle Use

Aisles are to remain completely free of obstructions and not put to commercial use in any way. No activity can be conducted outside of contracted exhibit space, including handouts, solicitations, presentations or mascots.

Product Containment

All hay, straw, feed products and other similar items must be fully contained and kept within booth space. For example, all hay bales used as part of a display must be wrapped in plastic or enclosed within a container to keep loose materials off the floor.

Lighting

Exhibitors should adhere to the following suggested minimum guidelines when determining booth lighting:

- No lighting, fixtures, lighting trusses or overhead lighting are allowed outside the boundaries of the exhibit space. Exhibitors intending to use hanging lighting systems should submit a drawing to the Expo office prior to September 1.
- Lighting should be directed to the inner confines of the booth space. Lighting should not project onto other exhibits or show aisles.
- Lighting which is potentially harmful, such as lasers or ultraviolet lighting, must be approved in writing by September 1.
- Lighting that spins, rotates, pulses and other specialized lighting effects should be in good taste and not interfere with neighboring exhibitors or otherwise detract from the general atmosphere of the event.

Booth Construction

All indoor booth displays must be constructed so as to appear “finished” on all sides that may be visible, including from all adjoining booths. For example, if the framework structure of a pop-up booth is visible from an adjoining booth, that framework will need to be covered so as to not detract from the appearance of the adjoining booth. All exhibit displays should be designed and erected in a manner that will withstand normal contact or vibration caused by neighboring exhibitors, hall laborers or installation/dismantling equipment such as forklifts. Displays should also be able to withstand moderate wind effects that may occur in the exhibit area when freight doors are open.

Canopies & Ceilings

Canopies, including ceilings, umbrellas and canopy frames, can be either decorative or functional (such as to shade computer monitors from ambient light or for hanging products). Canopies for Standard or Perimeter Booths should comply with line of sight requirements. The base of the Canopy should not be lower than seven feet (7') from the floor within five feet (5') of any aisle. Canopy supports should be no wider than three inches (3"). This applies to any booth configuration that has a sight line restriction, such as a Standard Booth.

Oversized Equipment

Due to the nature of the dairy industry, exhibitors at Expo sometimes have products that exceed the display height regulations. This is usually acceptable, so long as there is no signage or logo on the portion of the equipment extending beyond the height restriction for that type of booth. Equipment too large to fit within the boundaries of the booth space, or that does not comply with the line of sight regulations (page 3-4) for that type of booth, will not be allowed.

Height Restrictions

No booth element may be above eight feet (8') high in any indoor Standard Booth. Exhibitors exceeding these limits without prior written permission will be required to revise the booth to fit guidelines before the show opens.

Blocking Neighbors

There can be nothing higher than four feet (4') within the three feet (3') closest to the aisles in any indoor space without written permission. This will be strictly enforced.

Hanging Signs and Banners

If you wish to hang a sign as part of your booth in the Exhibition Hall, you must submit a “Hanging Sign Form” to the Expo office by September 1. The facility will not hang signs without prior approval. Hanging signs are not permitted in the Coliseum, Trade Center or Arena Building.

Violation of World Dairy Expo's Rules and Regulations will result in loss of priority for space, probation or being banned from future shows.